

**NEW**

# LED SIGNAL LIGHT

● M-100LF ● M-100LF-BZ ● M-100LR ● M-100LR-BZ

- **High Illumination**
- **Degree of Protection IP65**
- **24 LEDs in a Circular Pattern**
- **Long Lifetime (100,000 Hours)**
- **Low Consumption and Energy Saving**
- **UV Stabilised Outer Case and Vibration Resistance**



- ✓ **With buzzer and volume adjustment**
- ✓ **With flashing or rotating options and frequency adjustment**
- ✓ **Working voltage options: AC/DC12V, AC/DC24V, AC110V, AC220V & AC100V~240V**
- ✓ **Widely used in mechanical equipment, mining, transportation and construction industries, for commercial or domestic door alarm and security systems or for recreational uses**



# PERFORMANCE PARAMETERS – LED SIGNAL LIGHT

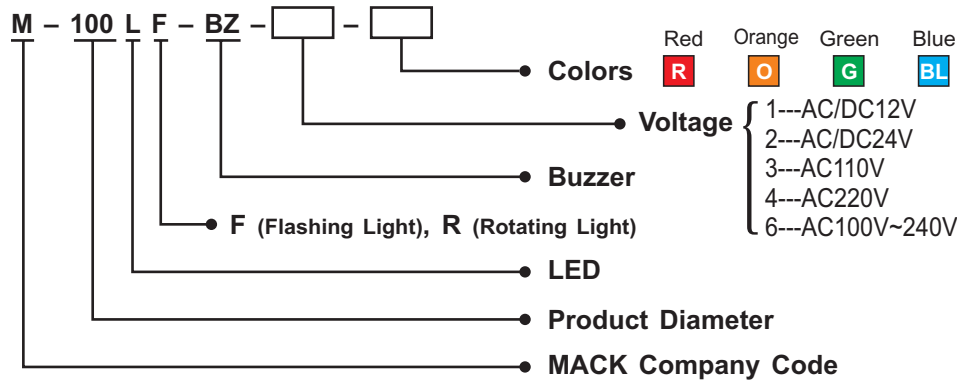
## FEATURES

- ✓ High Illumination
- ✓ 24 LEDs in a Circular Pattern
- ✓ UV Stabilised Outer Case and Vibration Resistance
- ✓ Degree of Protection IP65
- ✓ Long Lifetime (100,000 Hours)
- ✓ Low Consumption and Energy Saving

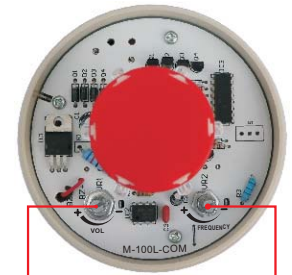
## TECHNICAL DATA

PARAMETER	M-100LF RATING	M-100LF-BZ RATING	M-100LR RATING	M-100LR-BZ RATING
Input Voltage Options	AC/DC12V, AC/DC24V, AC110V, AC220V & AC100V~240V			
Power	2.5W (Max.)			
Buzzer(dB)	—	80(Max.) Adjustable	—	80(Max.) Adjustable
Flashing Frequency	Adjustable	Adjustable	—	—
Rotating Frequency	—	—	Adjustable	Adjustable
Module Colors	<span style="background-color: red; color: white; padding: 2px 5px;">R</span> <span style="background-color: orange; color: white; padding: 2px 5px;">O</span> <span style="background-color: green; color: white; padding: 2px 5px;">G</span> <span style="background-color: blue; color: white; padding: 2px 5px;">BL</span>			
Illumination	24 LEDs (5mm)			
LED Lifetime(H)	100,000			
Operating Temperature Range	-20°C ~ +70°C			
Degree of Protection	IP65			
Vibration Resistance	7m/s <sup>2</sup> , 30Hz			
Withstanding Voltage	2000V/50Hz, 1mA & 1min between terminals and chassis without breaking insulation			
Weight	305g	330g	305g	330g

## ORDERING

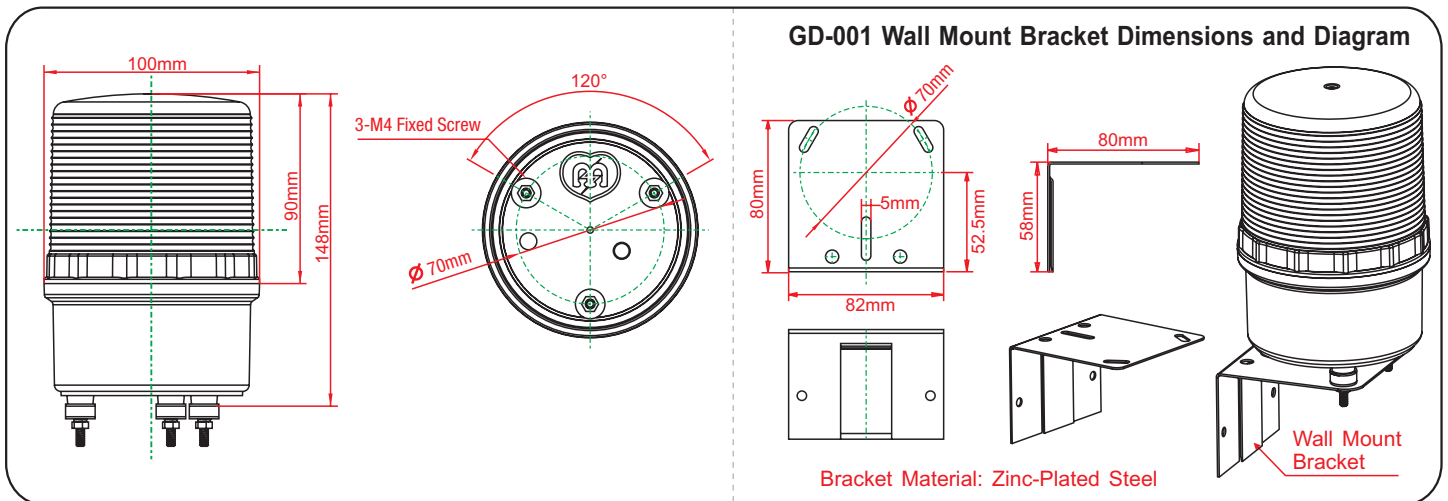


## Frequency and dB Adjustment



Volume Adjustment      Frequency Adjustment

## PRODUCT DIMENSIONS AND BRACKET DIAGRAM



### Factory Headquarters

78 Zhao Shang Avenue, ZhangZhou Development Zone, ZhangZhou, 363105, P.R.C.

Tel: +86 596 685 1990 Fax: +86 596 685 1992

E-mail: [sales@mackelectrical.com](mailto:sales@mackelectrical.com)